

Ball levers

Steel, blackened

SPECIFICATION

Types

- Type **L**: Angled lever with plain bore H7
- Type **N**: Angled lever with threaded bore

Steel

- turned
- blackened

Ball knobs DIN 319 (see page 538)

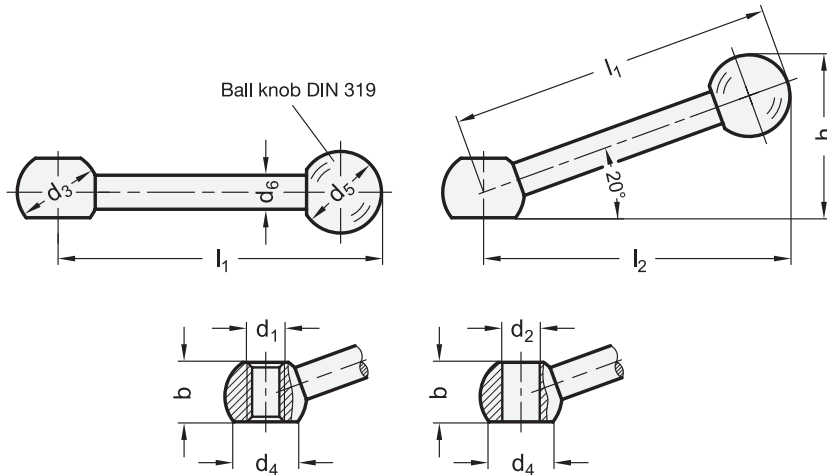
Plastic, black

INFORMATION

The official DIN standard sheet specifies additional sizes 200 - M24 / B24.

TECHNICAL INFORMATION

- ISO Fundamental Tolerances (see page A21)



DIN 6337

Description	l1	d1	d2 H7	b	d3	d4	d5	d6	h ≈	l2 ≈	△
DIN 6337-63-B8-L	63	-	B 8	12	16	12.5	20	8	33	60	32
DIN 6337-80-B10-L	80	-	B 10	14.5	20	16	20	9	40	76	53
DIN 6337-100-B12-L	100	-	B 12	18.5	25	20	25	11	50	95	100
DIN 6337-125-B16-L	125	-	B 16	24	32	25	32	15	63	119	216
DIN 6337-160-B20-L	160	-	B 20	30	40	31	40	18	80	152	415
DIN 6337-63-M8-N	63	M 8	-	12	16	12.5	20	8	33	60	32
DIN 6337-80-M10-N	80	M 10	-	14.5	20	16	20	9	40	76	54
DIN 6337-100-M12-N	100	M 12	-	18.5	25	20	25	11	50	95	102
DIN 6337-125-M16-N	125	M 16	-	24	32	25	32	15	63	119	223
DIN 6337-160-M20-N	160	M 20	-	30	40	31	40	18	80	152	425